

MONTCLAIR



Photo may show elements not currently offered. See Agent for details.



Elevation 1



Elevation 4



Elevation 4 w/ Opt. Bonus Room



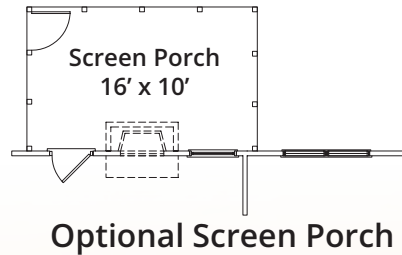
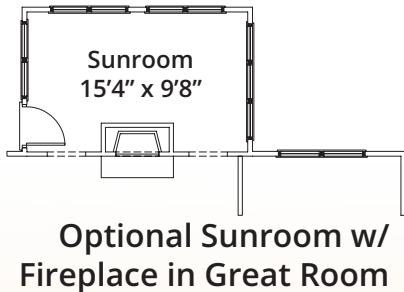
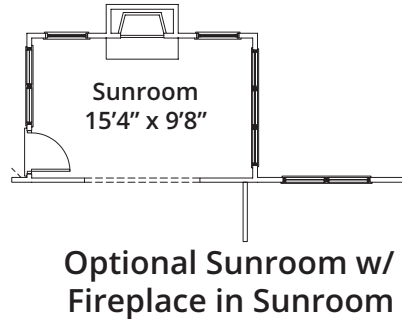
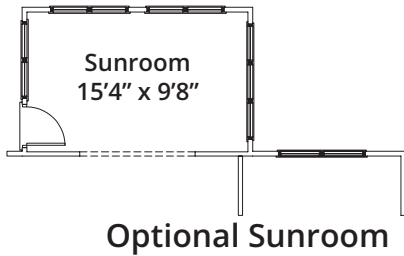
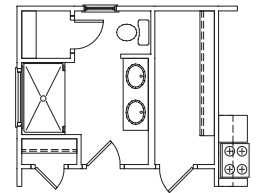
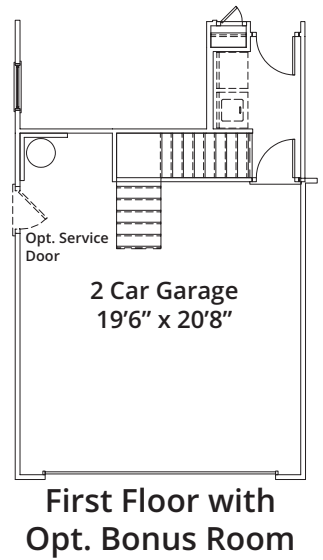
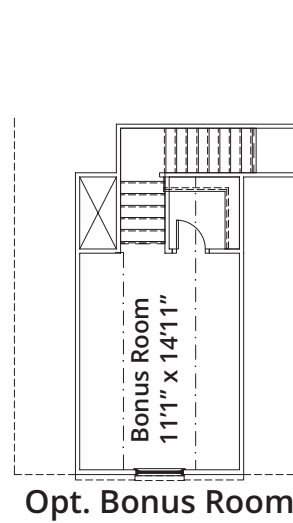
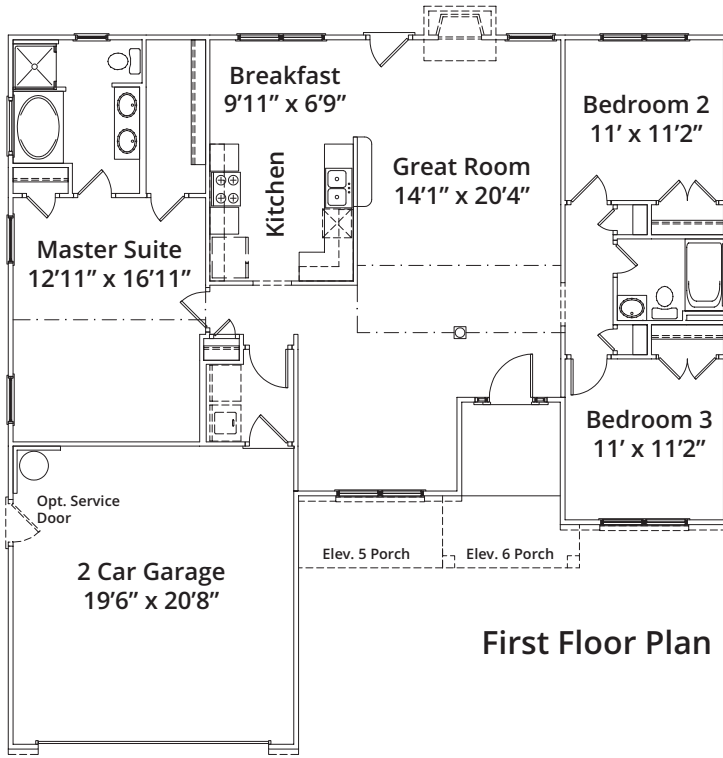
Elevation 5



Elevation 6



Elevation 6 w/ Opt. Bonus Room



All exterior doors and sidelites with glass inserts (including optional doors) shall have no grids inside the glass. Master bathrooms with large fixed window over garden tub (per plan) shall have obscure glass standard. Bathrooms with small fixed windows over showers (per plan, may be optional) shall have no grids inside the glass. Room sizes and square footage are approximate. Standard features vary per community. Consult the Standard Features document for details. Because we are constantly improving our homes, we reserve the right to revise, change and/or substitute features, dimensions, architectural details and designs without notice. Any illustrations, including photographs, are for discussion purposes only and are not part of the legal contract. Pricing is subject to change without notice.